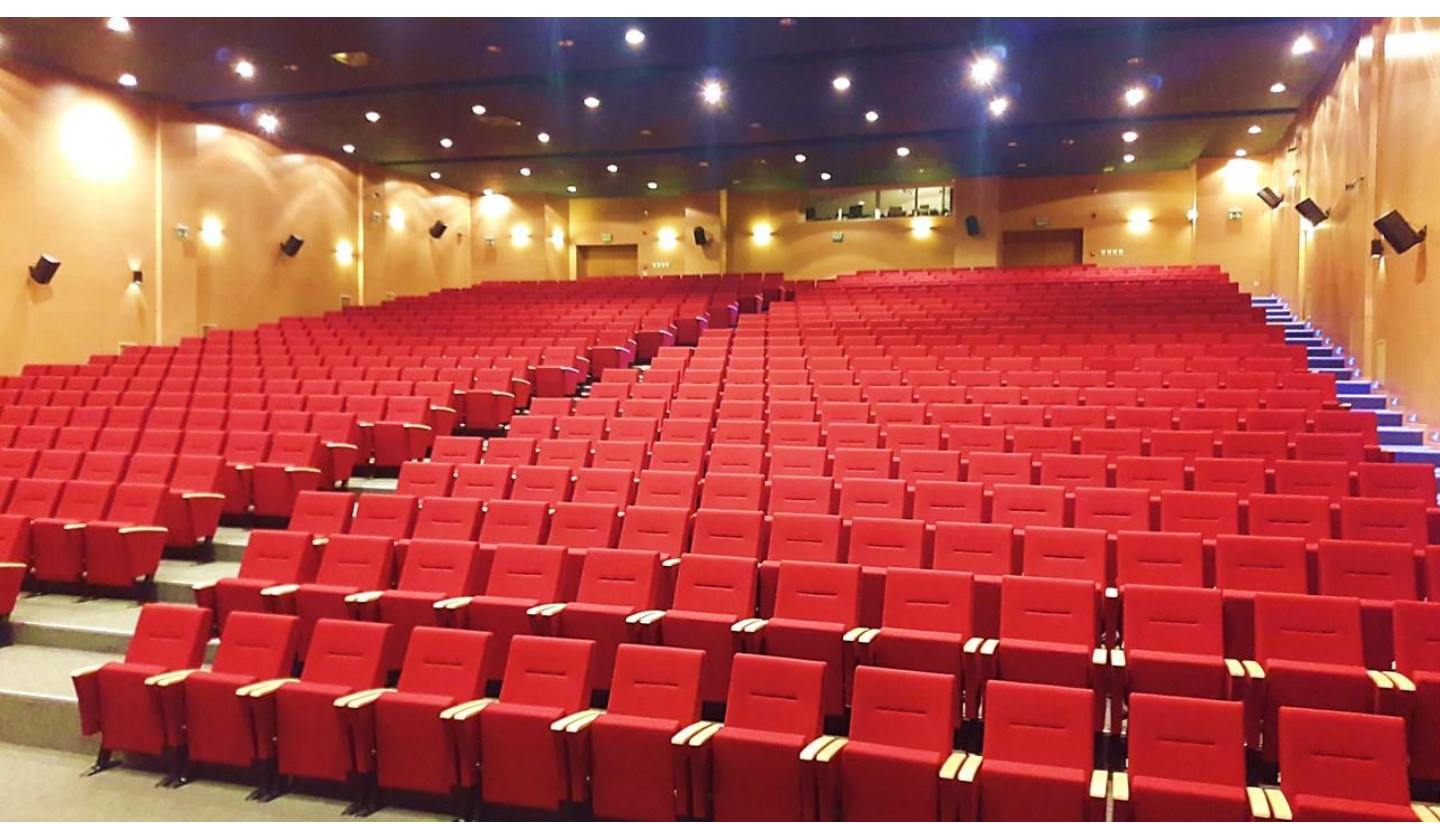


ACQUA | M SERIES



S-EGASEATING
The leading Turkish brand of quality Auditorium, Theatre and Cinema Seating egaseating@com



KADİR TOPBAŞ Performing Arts Center, Istanbul-Turkey
Model: ACQUA; Number of seat: 687; Year of development: 2017

ACQUA is designed to be comfortable and maintenance-free throughout its lifetime, this seat provides levels of comfort far beyond its size.

Its compact structure allows for ease of access and egress and the extensive backrest options ensure maximum comfort and function.

Designed to be comfortable and maintenance-free throughout its lifetime, this seat provides levels of comfort far beyond its size.





ACQUA series are manufactured under the needs of conference and theater halls and in ergonomic designs targeting comfort that fits the audience perfectly.

The series is in line with the needs of the investor and the audience;

It is enriched with

- *lateral legs,*
- *fabric or leather upholstery,*
- *backrest and seat unit wooden cover.*





OPTION FEATURES

ACQUA | MW-BSF

- (MW) The armrests are steel profile, finished with solid wooden armrest units.
- (BSF) Both backrest and seat padding are fully upholstered with padded cover.



ACQUA | MW-BW

- (MW) The armrests are steel profile, finished with solid wooden armrest units.
- (BW) The backrest padding is supported with a varnished beech plywood backboard.



ACQUA | MW-BSW

- (MW) The armrests are steel profile, finished with solid wooden armrest units.
- (BSW) Both backrest and seat paddings are supported with varnished beech plywood backboard.



ACQUA-WT | MW-BSF

- (WT) Equipped with an internal varnished beech plywood writing tablet.
- (MW) The armrests are steel profile, finished with solid wooden armrest units.
- (BSF) Both backrest and seat padding are fully upholstered with padded cover.

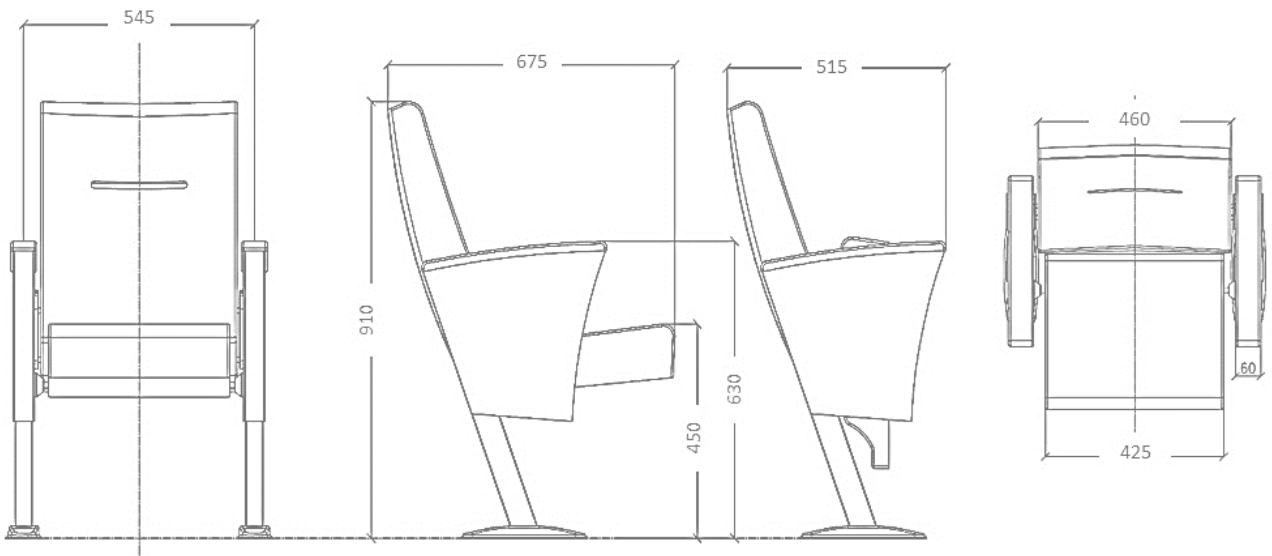




University of Istanbul Auditorium Hall, Istanbul TURKEY
Model of Seat: ACQUA; Number of Seat: 429 units; Year of development: 2012



DIMENSIONS (mm)



CHARACTERISTIC FEATURES

Dimensions

- Centre-to-centre dimension is 55 cm.
- The nominal space for the user is 49 cm.

Seat and Backrest units

- All paddings are produced with cold-molded CMHR polyurethane foam technology,
- Both backrest and seat padding has a carefully crafted ergonomic design, density of 50-60 kg/m³.
- Upholstered with a padded cover, removable using a zipper.
- The seat padding is a single block of molded polyurethane foam that incorporates a 20*20*1,5mm internal metal frame structure.
- The backrest padding is a single block of molded polyurethane foam that incorporates a 20*20*1,5mm internal metal frame structure which, due to its shape and composition, offers great back and lumbar support.
- Tip-up seat folds automatically with an inside weight balance system. Silent and maintenance-free.

Armrest

- Fixed and shared armrest with a curved design.
- Made of 20 mm thick varnished beech solid wood.
- Decorative lateral panels made of MDF board and upholstered with padded cover.

Structure

- The lateral feet are made of a 60*40*1,5 mm steel metal profile structure designed and produced to provide durability and long life.
- Each lateral leg is joined to a 2 mm thick molded steel metal base and fixed to the floor using metric screws or other suitable types of anchorage for each type of surface
- The metal parts are painted with electrostatic powder paint. Coat thickness 80 microns ± 10.
- The fully upholstered backrest padding is fixed to a metal structure, which is joined to the lateral legs with a concealed insertion system to provide strong durability.
- The system is very resistant and ensures the perfect alignment of the backrests when forming a row.

Options

- Side-mounted foldaway writing tablet.
- Backrest wooden cover-Beech plywood.
- Seat back wooden cover-Beech plywood perforated.
- Seat, row numbering, and logo embroidery.
- Variety of foam density.
- Variety of fabric with abrasion, fading, and non-flammability characteristics.
- Variety of high-quality faux and genuine leather.

CERTIFIED PRODUCTION

In our production plant, we have implemented the quality management system ISO 9001:2015, the environmental management systems ISO 14001:2015, and the safety management system OHSAS 18001:2007 are standard.